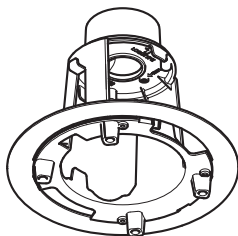
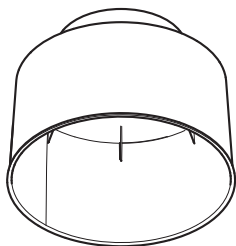
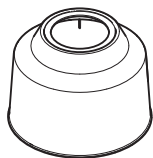


# INSTALLATION GUIDE

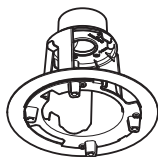
## AXIS T94F02D Pendant Kit







**1x**

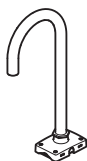


**1x**



**1x**

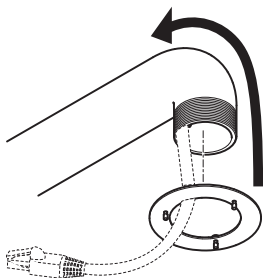
**i**



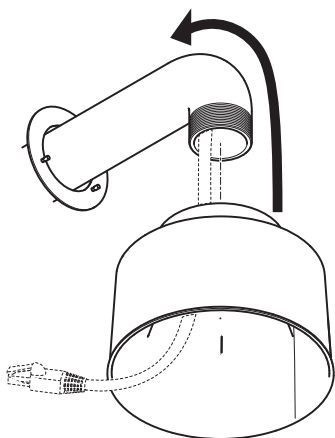
**i**



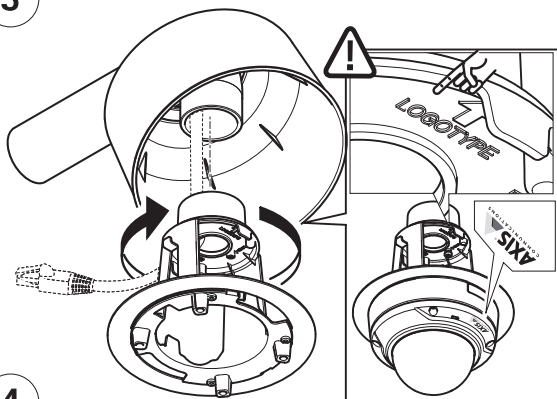
1



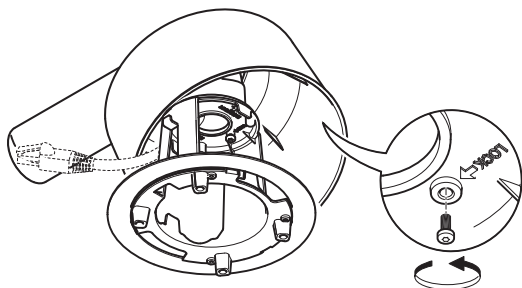
2



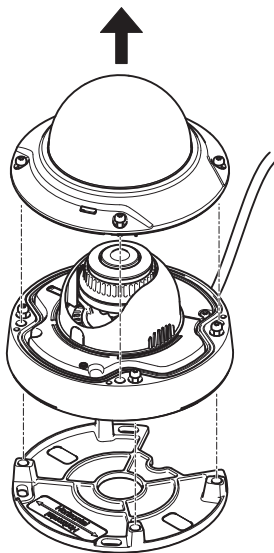
3

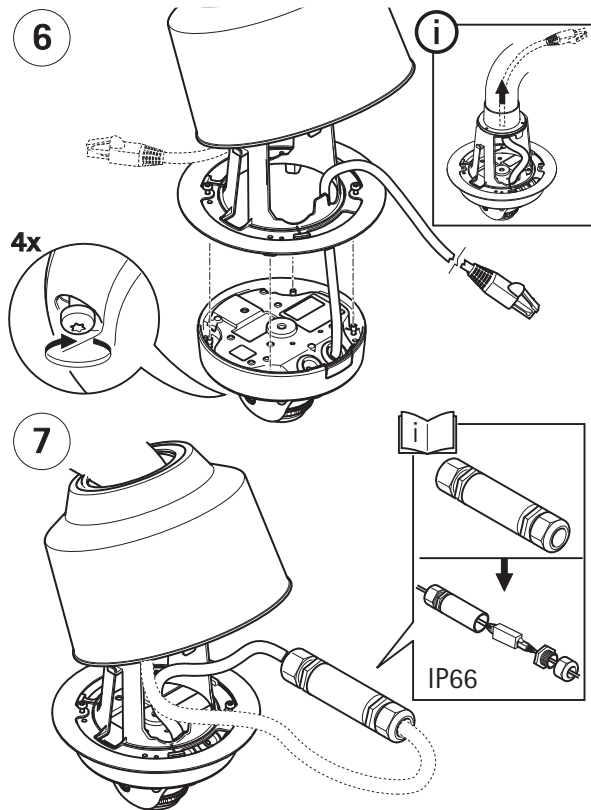


4

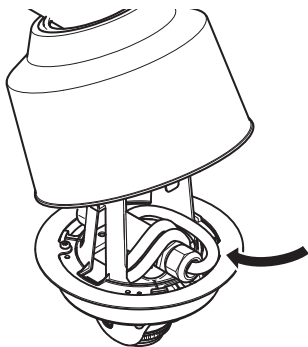


5

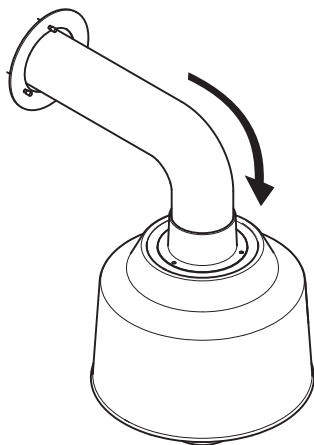




8

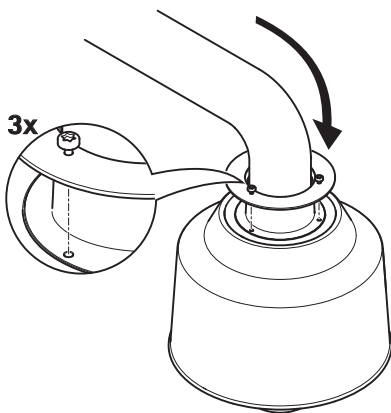


9

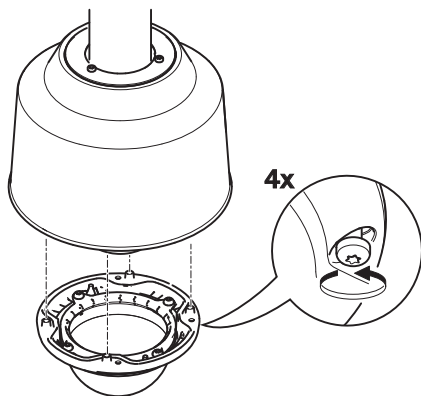




10



11







Installation Guide

AXIS T94F02D Pendant Kit

© Axis Communications AB, 2014

Ver.2.0

Printed: October 2014

Part No. 59915